



UDT-U Series Conference table LCD Lift system



Descriptions

LCD monitor lift is designed to hide LCD screens into the table. When you don't need to use it, LCD screens will be hidden inside the table, it makes the tabletop neat; in multi-media meetings, LCD Monitors can be controlled up/down/stop individually, grouped or all, and multi-safety prevent clamp fingers devices.

Features

- Support 24"/22"/20.5"/19" LCD Mon 16:9
- Control: Manual and wireless remote control with central control via RS232/RS485 ports compatible



- Lift function and Panel button: up, down, stop, backward , forward
- USA damping motor , is Brake device design
- Mechanical structure of gear: A rack and pinion type , also make very low noise.
- Control qty: one set control or synchronous control 2-100 sets
- Color: white or black
- Panel material : wiredrawing aluminum alloy (Aluminum oxidation with drawing polishing surface process to make sure smooth and bright panel)
- Case material : alloy iron (Phenolic plastics , Surface treatment: Bake of high temperature)

Specification

- Material: Steel
- Color: Phenolic plastics , Surface treatment: Bake of high temperature
- Wall Mount bracket for 24"/22"/20.5"/19" 16:9 Mon
- Lift Motor : Power Supply: 220 V , Power output: 15w , Torque: 440mN.m
- Pitch angle Motor : Power Supply: 12 V , Power output: 0.17w , Torque: 44mN.m
- Pitch angle of LCD mon : 0-15°
- Load weight: 10kg
- Weight: 20kg
- Power Supply: 220 V / 50 ~ 60 Hz, 13A plug
- Connector port : DVI/HDMI , RS232/RS485 ,(Optional) USB
- Operation noise : less than or \leq 20dB



Multi-safety Specification (OPTIONAL)* Tailor made

- Multi-safety prevent clamp fingers design and warning light indicates
- Safety features of Automatic door :
A, When automatic door closed, if bumping into obstacles (example: hand or fingers etc.) the lifter will immediately stop running.
B, And the automatic doors installed a spring cushioning device, when pinch your fingers or article, you can gently pull and release.
- Impact force for automatic door closed: Less than \leq 2.2 (N)
- Safety features of monitor lifting:
A, When the monitor to rises, if bumping into obstacles (example: hand or fingers etc.), the lifter will stop rising soon and will running in the opposite direction.
B, The machine is also installed a spring of prevent clamp fingers , once circuit failure cannot immediately stop rising, by the spring cushioning device of buffer, same time also have enough time to leave the mechanical impact surface.
- Impact force for monitor lifting : Less than \leq 2.5 (N)
- Warning light indicates : indicator light flashes "red color" When running on the monitor lift

Dimensions

-Covering dimension (H x W x D):600 x 663 x 160mm(24") /625 x 575 x 153 mm(22")

-Cutout Size (W x D) : 675 x 170 mm (24") /580 x 158 mm(22")

-Panel dimension (H x W x D): 5 x 685 x 180mm (24") /5 x 600 x 175 mm(22")

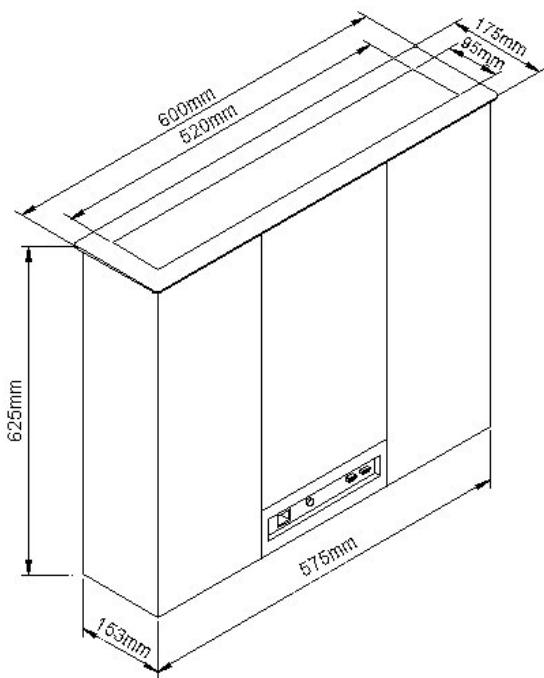
-Panel Cutout Size (W x D): 685.1 x 180.1 mm (24") /600.1 x 175.1 mm (22")

-Thickness of panel and cutout size(H): 5mm

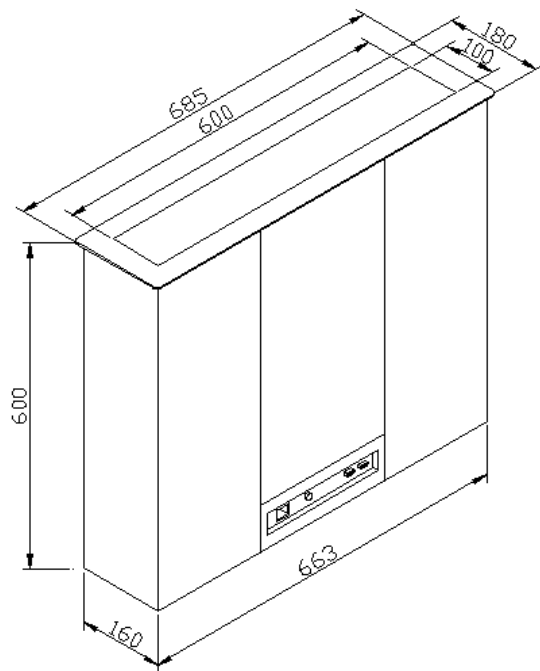
-Panel inside dimension (W x D) : 600 x 100 mm (24") /520 x 95 mm (22")

-LCD dimensions (H x W x D): less than $\leq 556.0 \times 64.9 \times 361.6$ mm (24") or $\leq 304.4 \times 512.7 \times 46.3$ mm (22")

Dimensions Drawing



22" size



24" size

Photo:





Suitable use:

Special classroom, Meeting room, Conference room, VIP room, Intelligence room

Warranty: 12 Month